

Key Features :

- Frequency range : 0 – 4GHz
- Low insertion loss
- High endurance power
- Low cost QFN package
- Applications : wireless communication, transceiver module, radio telecommunication etc.

Description :

AMT1502P is a high performance GaAs clipper package chip. It covers frequency range of 0 ~ 4GHz, +5V single supply, typical insertion loss is 0.2dB.

Absolute Maximum Ratings (Ta = 25°C)

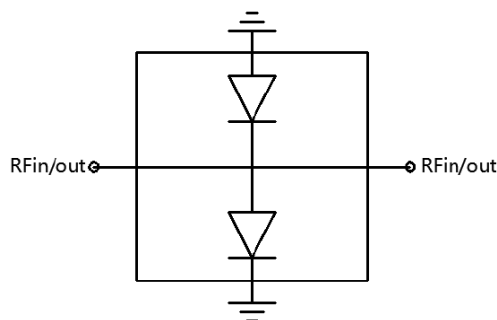
Symbol	Parameter	Value	Remark
Pin	Input Power	45dBm	
Tch	Operating Temperature	150°C	
Tstg	Storage Temperature	-55 ~ +125°C	

[1] Operation outside any of the Absolute Maximum Ratings may cause permanent device damage.

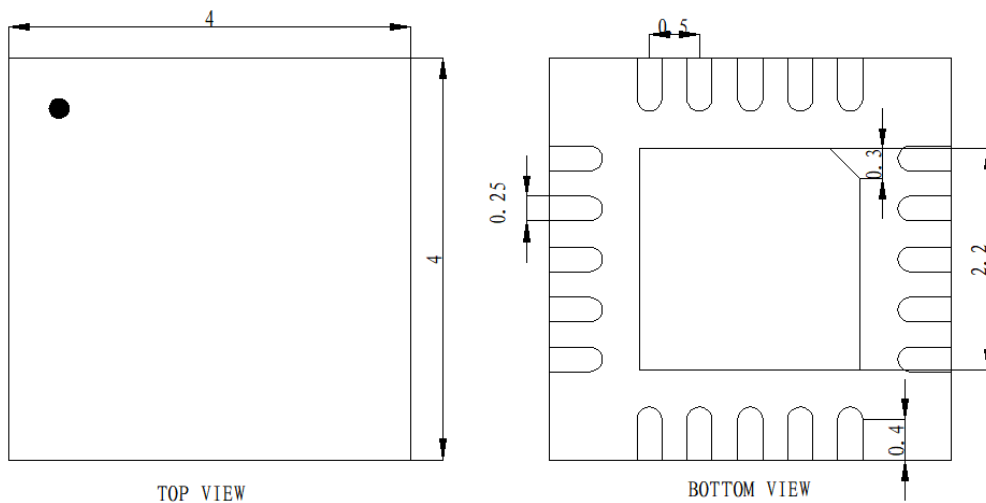
Electrical Characteristics (Ta = 25°C)

Symbol	Parameter	Value			Unit
		Min	Typical	Max	
VSWRin	Input Standing Wave	-	1.3	-	-
VSWRout	Output Standing Wave	-	1.3	-	-
IL	Insertion Loss	-	0.2	0.3	dB
P _{LIM}	Clipper output level	-	15	-	dBm

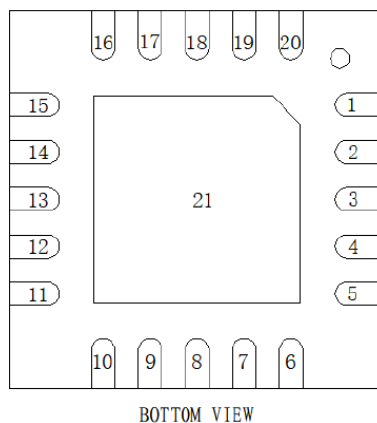
Function Block :



Dimensions (Unit : mm)



Lead Diagram



Lead	3	13	2, 4, 12, 14, 21	Other
Use	RFin	RFout	GND	Suggest to connect to GND, or floating